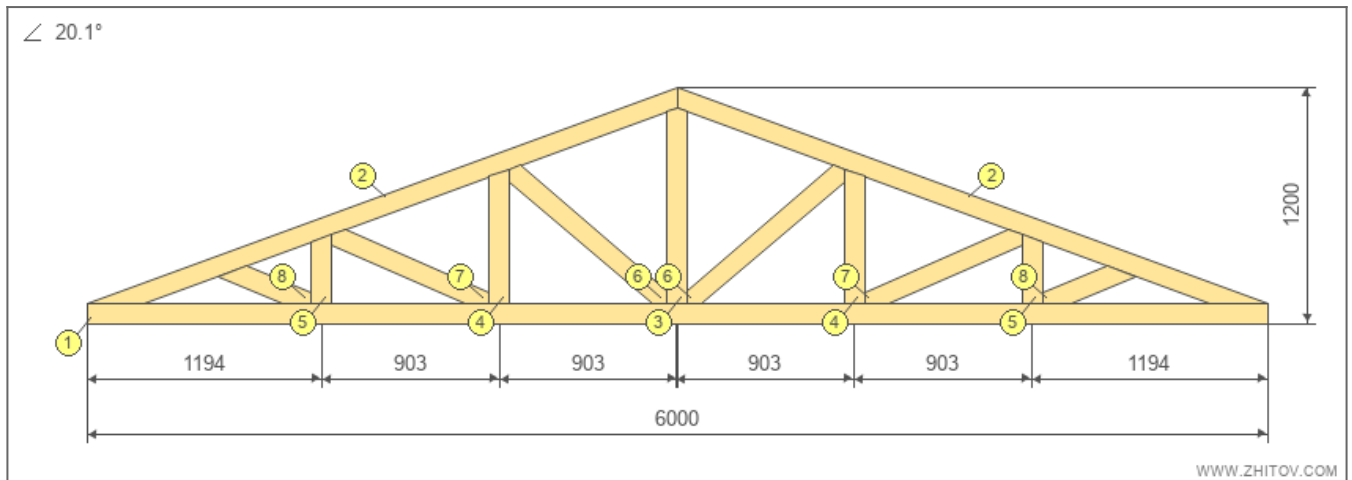
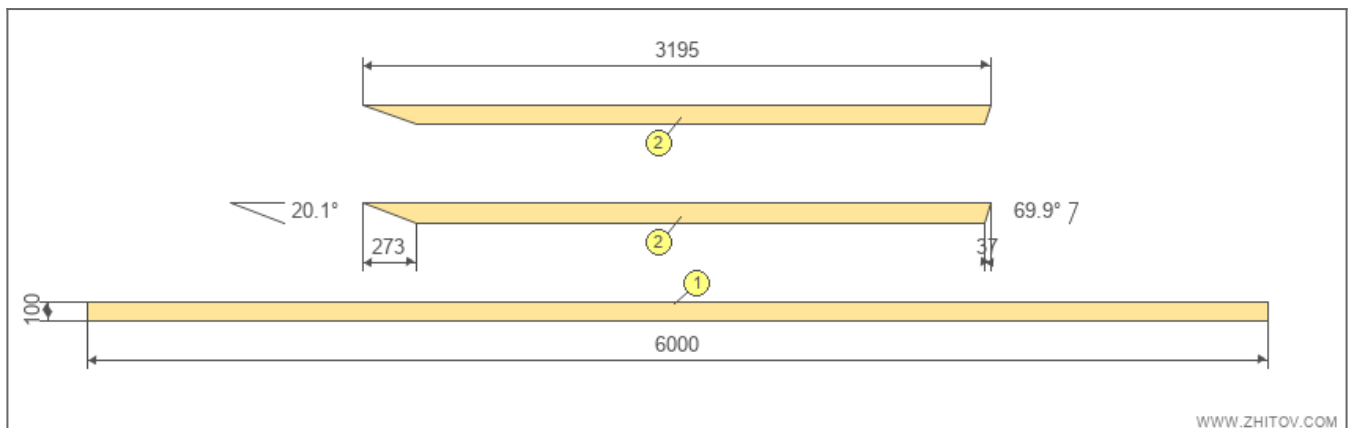


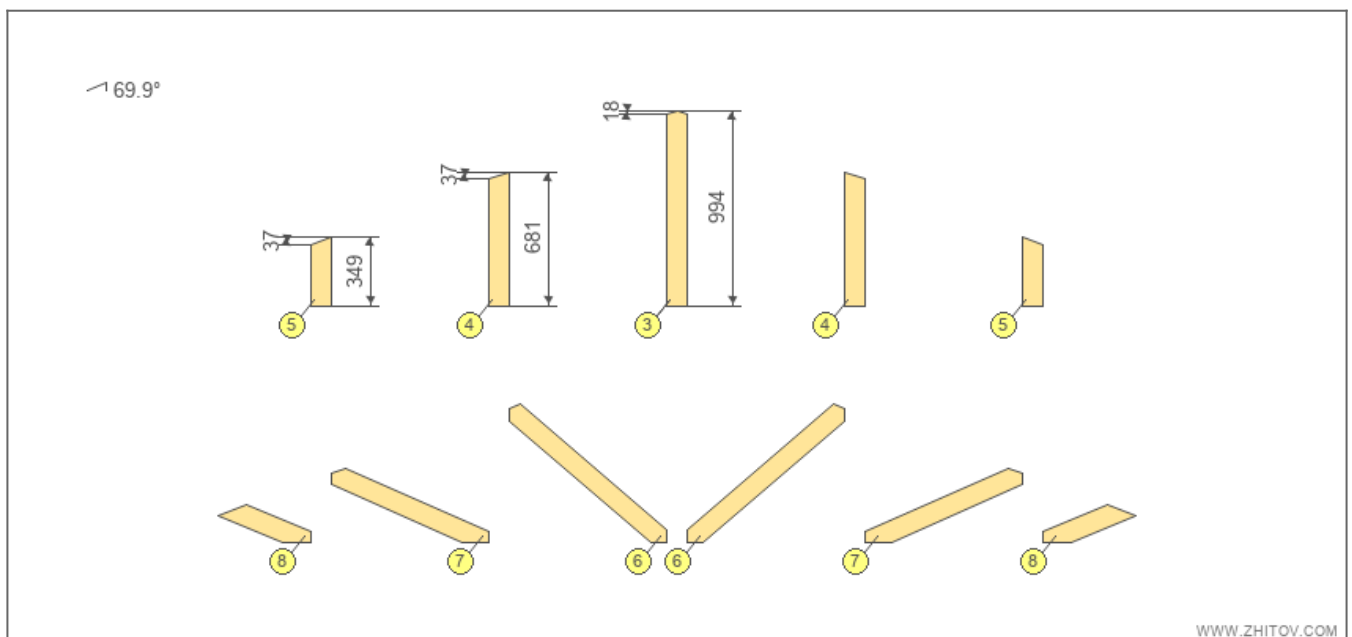
Nnua a w□de ay□ ahinanan ho akontaabu



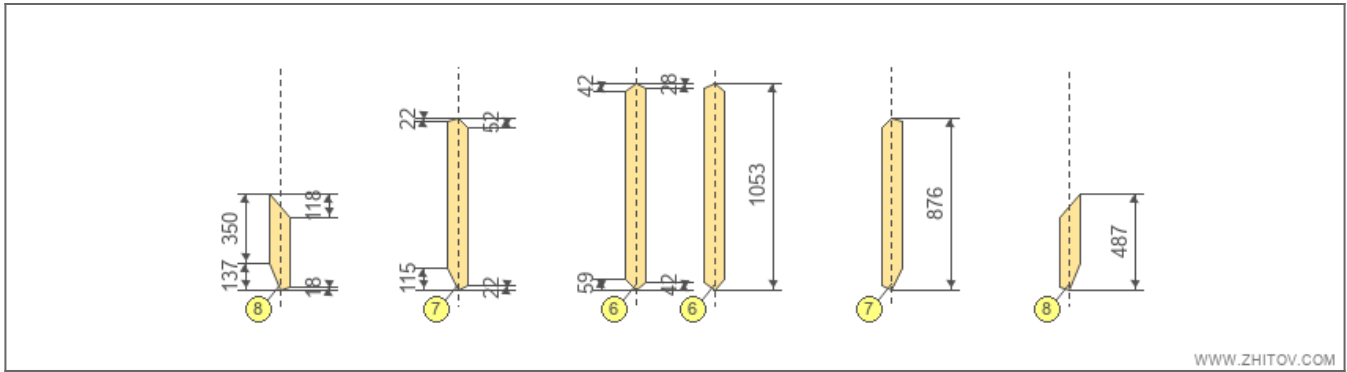
General form



nnua a w□de ay□ nnua



Racks a w□de y□ nne□ma



Podkosy na □kyer□wee

Afã horow no k□se

Nkyer□mu 1. 6000 mm - 1 PCS.

Nkyer□mu 2. 3195 mm - 2 PCS.

Nkyer□mu 3. 994 mm - 1 PCS.

Nkyer□mu 4. 681 mm - 2 PCS.

Nkyer□mu 5. 349 mm - 2 PCS.

Nkyer□mu 6. 1053 mm - 2 PCS.

Nkyer□mu 7. 876 mm - 2 PCS.

Nkyer□mu 8. 487 mm - 2 PCS.

nnua a w□de y□ nne□ma

ne nyinaa tenten 20273 mm (20.27 m)

Nnua dodow 0.101 m³

© www.zhitov.com